

Kühlmittel-Tauchpumpen

4COA-Reihe

Dimensionen



mk elektromotoren AG

Lenzburgerstrasse 30

CH-5600 Ammerswil

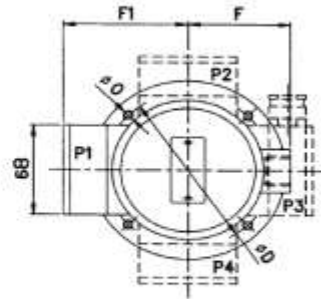
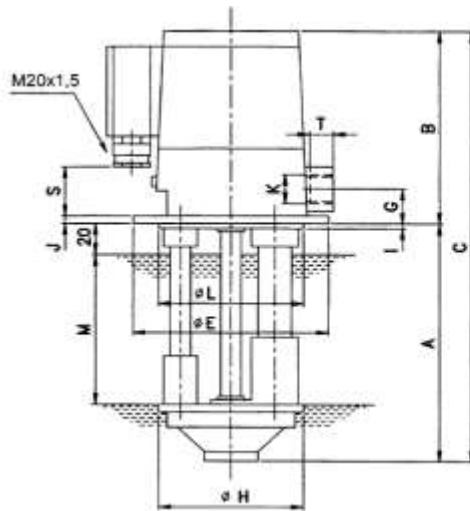
Tel. +41 (56) 496 09 10

Fax +41 (56) 496 09 11

info@mk-elektromotoren.ch

www.mk-elektromotoren.ch

Dimensionen



Typ	A	B	C	D	E	F	F1	G	H	I	J	K	L	M	O	S	T
	[mm]	[mm]	[mm]	[mm]	[mm]	[mm]	[mm]	[mm]	[mm]	[mm]	[mm]	[°]	[mm]	[mm]	[mm]	[mm]	[mm]
Reihe 4COA2																	
4COA2-09	90	156	246	115	130	70	90	25	99.5	2.5	5	G 3/4	100	59	7	-	-
4COA2-10	100		256											69			
4COA2-12	120		276											80			
4COA2-14	140		296											100			
4COA2-17	170		326											130			
4COA2-22	220		376											180			
4COA2-27	270		426											230			
Reihe 4COA4																	
4COA4-09	90	156	246	115	130	70	90	25	99.5	2.5	5	G 3/4	100	59	7	-	-
4COA4-10	100		246											69			
4COA4-12	120		276											80			
4COA4-14	140		296											100			
4COA4-17	170		326											130			
4COA4-22	220		376											180			
4COA4-27	270		426											230			
Reihe 4COA6																	
4COA6-09	90	171	261	115	130	70	90	25	99.5	2.5	5	G 3/4	100	59	7	-	-
4COA6-10	100		271											69			
4COA6-12	120		291											80			
4COA6-14	140		311											100			
4COA6-17	170		341											130			
4COA6-22	220		391											180			
4COA6-27	270		441											230			
Reihe 4COA10																	
4COA10-17	170	238	408	160	180	100	109	32	138	4	8	G 1/4	140	110	7	-	-
4COA10-20	200		438											140			
4COA10-22	220		458											160			
4COA10-27	270		508											210			
4COA10-35	350		588											290			
Reihe 4COA14																	
4COA14-17	170	238	408	160	180	100	109	32	138	4	8	G 1/4	140	110	7	-	-
4COA14-20	200		438											140			
4COA14-22	220		458											160			
4COA14-27	270		508											210			
4COA14-35	350		588											290			
Reihe 4COA16																	
4COA16-18	180	238	418	160	180	100	109	32	138	4	8	G 1/4	140	110	7	-	-
4COA16-21	210		448											140			
4COA16-23	230		468											160			
4COA16-28	280		518											210			
4COA16-36	360		598											290			
Reihe 4COA25																	
4COA25-18	180	246	426	160	180	100	109	32	138	4	8	G 1/4	140	90	7	-	-
4COA25-28	280		526											200			
4COA25-36	360		606											280			